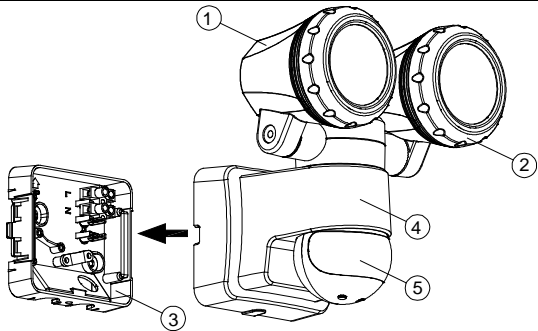


ELRO LT350512P – LT351012P

TWIN HEAD SPOTLIGHT



- ① LED Light
- ② Lamp Cap
- ③ Wall Box
- ④ Main Body
- ⑤ PIR (Motion Sensor)

INTRODUCTION

The ELRO Twin Head LED Spotlight offers you an economical lighting solution with extremely low energy consumption.

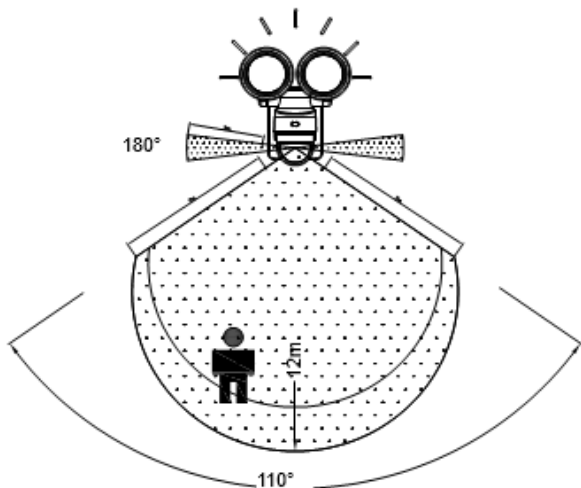
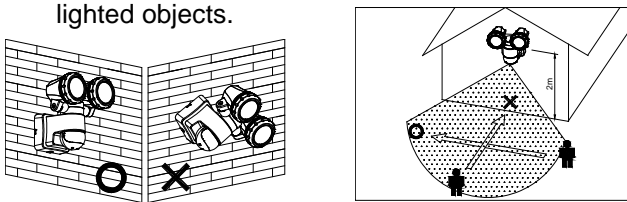
During darkness, the built-in passive infrared (PIR) sensor turns on the Spotlight when the PIR sensor detects a moving heat source in its coverage area.

Two beam adjustable spotlights allow you to provide the optimum lighting coverage.

Note: Read this entire manual before you start to install the system.

SAFETY PRECAUTIONS

- DO NOT install when it is raining.
- **Isolate the power supply before installation.**
- HO5RNF round flexible cable and drip loops must be used to avoid water ingress damage to the unit.
- Ensure that the power supply is protected by a 6A circuit breaker or suitable fuse.
- Ensure minimum distance of 0.5m away from lighted objects.

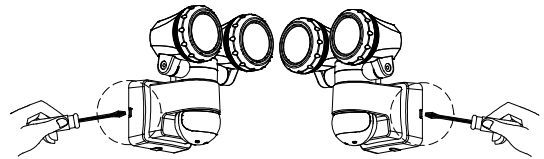


CHOOSING A MOUNTING LOCATION

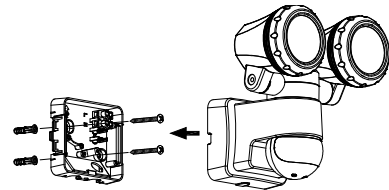
- For the best results, mount the Spotlight onto normal brickwork 2.0m above the ground.
- Avoid aiming the PIR sensor at pools, heating vents, air conditioners or objects that may change temperature.
- Avoid pointing the PIR sensor at trees or shrubs or where the movement of pets or animals may be detected.

WIRING INSTRUCTION

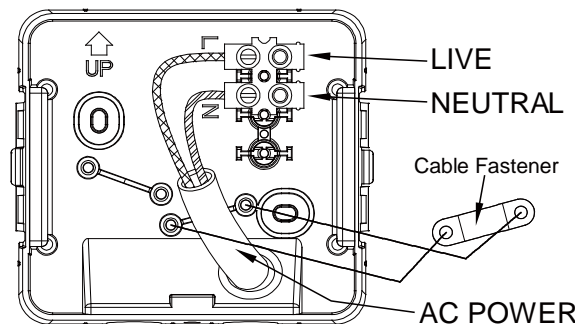
- (1) **WARNING** isolate the power supply. An internal single pole wall switch is recommended to allow easy control of the Spotlight.
- (2) Remove the wall box screw at the base of the unit



- (3) Use a pin to punch a small hole in the cable grommet, enabling the supply cable to enter the wall box.
- (4) Route the supply cable through the cable grommet. A drip loop is required between the wall box and the wall to avoid water ingress.



- (5) Strip approximately 6-8mm of inner core insulation from the supply cable.

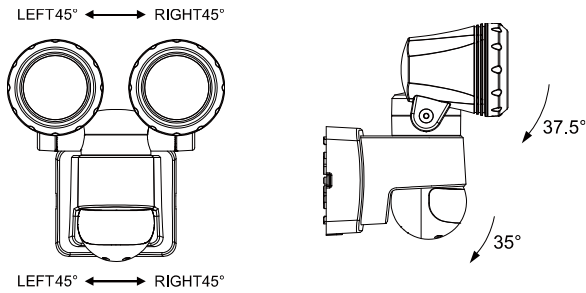


- (6) Refit the Spotlight onto the wall box and secure with the two clips. Refit the wall box screw at the base of the unit (if fitted).

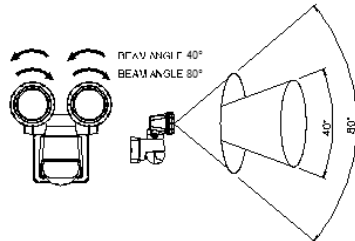
Note: If you need to detach the Spotlight from the wall box. **WARNING** isolate the power supply. side and one on the right side of the wall box. (FIGURE 7). Support the fitting during the process to prevent it from falling.

ADJUSTMENTS

The LED spotlight heads and the PIR can be adjusted vertically and horizontal

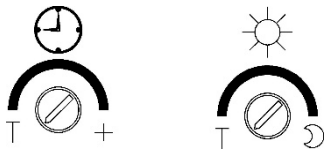


The beam angle of the LED spotlight heads can be adjusted by turning the Lamp Cap Rings around the LED spotlight heads.



(1) TEST MODE

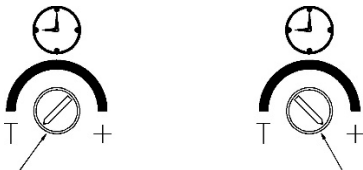
- Turn the LUX control and the TIME control counter clockwise to the edge – the TEST position.



- Turn on the wall switch. The light starts warm-up for 1 minute. During 1 minute warm-up period, the light will stay on.
- Walk through the detection area. The light turns on when you move and turns off when you stop.
- For a smaller coverage area, point the sensor down; for a larger coverage area, point the sensor up.

(2) TIME ADJUSTMENT

The TIME adjustment controls how long the light will stay on after the motion has been detected.

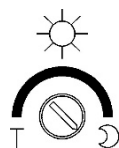


About 5 seconds

About 12 minutes

(3) LUX ADJUSTMENT

The LUX adjustment determines at what light level the lighting system will start operating when you set the sensor to automatic operation.



(4) AUTOMATIC OPERATION

Turn on the wall switch. When the sensor detects motion, the light automatically turns on. The built-in photocell turns the sensor off and on according to the light level selected by the LUX adjustment.

(5) MANUAL OVERRIDE CLICK TWICE

To keep the light on regardless of the motion, you can override the Automatic Operation. Turn the wall switch off and on twice within 4 seconds. The interval between the first and second operation must be within 0.5 - 2 seconds.

In Manual Override mode, the light will remain on for around 4 ~ 6 hours despite no motion; then the light will turn off and the motion sensor will be back to Auto Operation mode automatically.

Users can also set the motion sensor back to Auto Operation by turning off the wall switch for at least 10 seconds and then turn it back on

SPECIFICATIONS

Power Requirement	AC 220 - 240V / 50 Hz
LP350512P	2 x 5 Watt = 10 Watt
LP351012P	2 x 10Watt = 20 Watt
Standby	0.5 Watt
LED	Cree
Color Temperature (K)	5000K
CRI	>70
Lumen LP350512P @80°	850 lumen
Lumen LP351012P @80°	1550 lumen
Beam Adjustment	Beam angle MAX 80°
L70 Life Span (hours)	Up to 30000 hr
Detection Angle	Up to 180° at 2m Height
Detection Range	Up to 12m (39.4ft) at 2m Height
Sensor Swiveling Angle	Up to 45° Leftward Up to 45° Rightward Up to 35° Downward
Light Adjustable Angle	Up to 45° Leftward Up to 45° Rightward Up to 37.5° Downward
Mounting Height	Recommended 2m (6.56ft) Wall Mount
Time Adjustment	5 seconds - 12 minutes
Lux Adjustment	30 - 200 Lux
Operation Mode	Off/Auto/Manual override
Warm Up Time	About 60 seconds
Working Temperature	-10°C ~ +40°C; 95%RH max
Protection Class	Class II
Protection Degree	IP44

ELRO Europe
Postbus 9607 - Box E800
1006 GC Amsterdam
The Netherlands


GUARANTEE
www.elro.eu

V1

Symbols: Recycling and disposal: The WEEE symbol means that this product and batteries must be disposed separately from other household waste. When it reaches its end of life, take it to a designated waste collection point in your area to guarantee a safe disposal or recycling. Protect the environment, human health and natural resources!

